



Electric
Self-Propelled
Scissor Lift

GS-2046
GS-2646
GS-3246

Satisfies your
heavy lifting
requirements with
ease and efficiency.



Genie Industries

GS-2046
GS-2646
GS-3246

GS-2046, GS-2646 and GS-3246

- The solid steel deck platform has a **slip-resistant surface**.
- Heavy duty guardrails fold down quickly without tools for **increased accessibility**.
- **Lubrication-free, service-free pivot points**.
- **Built-in lanyard attachment points** are provided.
- The ergonomic Joystick Controller operates from the platform or the ground.
- **Low noise level** allows operation in quiet work environments.
- High angle steering provides **excellent manoeuvrability**.

- Swing-out battery box and power module allow **easy access to components**.
- Variable speed motor **extends battery and motor life** by using only the energy needed to do the required work.

Standard Features

- 1 m (39 in) roll-out platform extension
- Proportional controls for lift and drive functions
- AC wiring to platform
- Multiple disc brakes provide smooth deceleration
- Manual platform lowering valve
- Tilt sensor with an audible alarm
- Pothole guards
- Emergency stop switches at both platform and ground controls
- Automatic 25 amp battery charger
- Manual brake release
- Non-marking tyres
- Hour meter

Options and Accessories

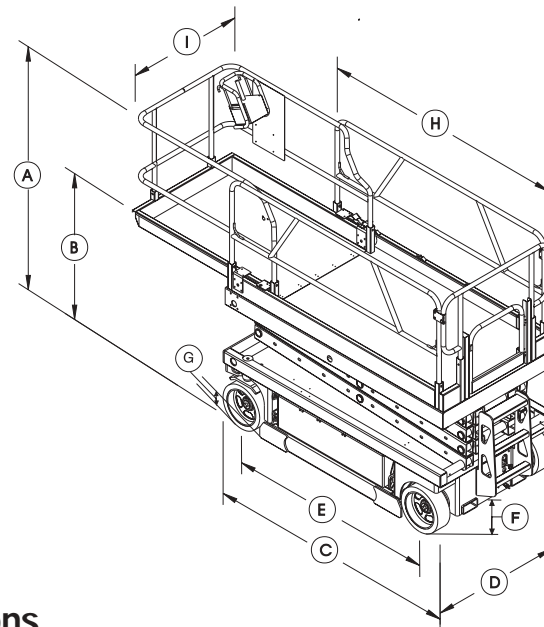
- Automotive horn
- Motion alarm
- Platform swing gate
- Air line to platform
- Dual flashing beacons
- Power inverter
- Maintenance-free battery

Standard Compliance

- CE EN280

Occupancy Rating

- Indoor: 2 persons (GS-2046, GS-2646, GS-3246)
- Outdoor: 2 persons (GS-2046, GS-2646) 1 person (GS-3246)



Specifications

Model	GS-2046		GS-2646		GS-3246	
	Metric	US	Metric	US	Metric	US
Working height ¹	8.1 m	26 ft	9.9 m	32 ft	11.75 m	38 ft
Platform height	6.1 m	20 ft	7.9 m	26 ft	9.75 m	32 ft
(A) Height - stowed (guardrails folded)	1.64 m	64 1/2 in	1.73 m	68 in	1.86 m	73 1/4 in
Height - stowed (guardrails)	2.18 m	86 in	2.28 m	89 3/4 in	2.4 m	94 7/8 in
(B) Height - stowed (platform)	1.04 m	41 in	1.17 m	46 in	1.3 m	51 1/4 in
(C) Length - stowed	2.44 m	96 in	2.44 m	96 in	2.44 m	96 in
(D) Width	1.17 m	46 in	1.17 m	46 in	1.17 m	46 in
(E) Wheelbase	1.85 m	73 in	1.85 m	73 in	1.85 m	73 in
(F) Ground clearance - at machine centre	10 cm	4 in	10 cm	4 in	10 cm	4 in
(G) Ground clearance - pothole guards deployed	2 cm	7/8 in	2 cm	7/8 in	2 cm	7/8 in
(H) Platform length-stowed	2.26 m	89 in	2.26 m	89 in	2.26 m	89 in
Platform length-extended	3.25 m	128 in	3.25 m	128 in	3.25 m	128 in
(I) Platform width	1.16 m	45 5/8 in	1.16 m	45 5/8 in	1.16 m	45 5/8 in
Roll-out platform extension	1 m	39 in	1 m	39 in	1 m	39 in
Lift capacity CE	544 kg	1,200 lb	454 kg	1,000 lb	318 kg	700 lb
Extension deck lift capacity	113 kg	250 lb	113 kg	250 lb	113 kg	250 lb
Turning radius outside	2.34 m	92 in	2.34 m	92 in	2.34 m	92 in
Turning radius inside	zero		zero		zero	
Power source	24V (4 6V 245AH batteries) (all models)					
Drive speed - stowed	3.5 km/h	2.2 mph	3.5 km/h	2.2 mph	3.5 km/h	2.2 mph
Drive speed - raised	0.8 km/h	0.5 mph	0.8 km/h	0.5 mph	0.8 km/h	0.5 mph
Raise/lower speed	30/28 sec		30/24 sec		57/40 sec	
Controls	proportional		proportional		proportional	
Tyres (solid rubber)	38x13x28 cm		15x5x11 in (all models)			
Gradeability	30%	30%	30%	30%	25%	25%
Drive	dual front wheel		dual front wheel		dual front wheel	
Multiple disc brakes	dual rear wheel		dual rear wheel		dual rear wheel	
Weight ²	1,961 kg	4,324 lb	2,107 kg	4,646 lb	2,800 kg	6,172 lb

¹The metric equivalent of working height adds 2m to platform height, US adds 6ft to platform height.
²Weights are subject to change

Distributed By:	Genie Industries	
	<p>GENIE UNITED KINGDOM The Maltings, Wharf Road Grantham, Lincolnshire NG31 6BH, England Telephone +44 (0)1476 584333 Fax +44 (0)1476 584334 http://www.genielift.com</p>	<p>GENIE UNITED STATES 18340 NE 76th Street P.O. Box 97030 Redmond, Washington 98073-9730 Telephone +1 (425) 881 1800 Fax +1 (425) 883 3475 http://www.genielift.com</p>

For further information, please contact your local distributor or the Genie sales office listed. Continuous improvement of our products is a Genie policy. Product specifications are subject to change without notice or obligation. The photographs and drawings in this brochure are for illustrative purposes only. Refer to the appropriate Genie GS-2046, GS-2646 and GS-3246 Operator's Manual for instructions on the proper use of this equipment. Failure to follow the appropriate Operator's Manual when using a Genie GS-2046, GS-2646 or GS-3246, or to otherwise act irresponsibly, may result in serious injury or death. Copyright © 1997 by Genie Industries. Genie is a Registered Trademark of Genie Industries in the USA and many other countries. GS is a Trademark of Genie Industries. 07/02, Part No. B65033UK.